

SIRUBA®

銀箭牌工業用縫紉機

INDUSTRIAL SEWING MACHINE

L818F-DM1

WITH TRIMMER

零件圖 PARTS LIST



From the library of: Diamond Needle Corp

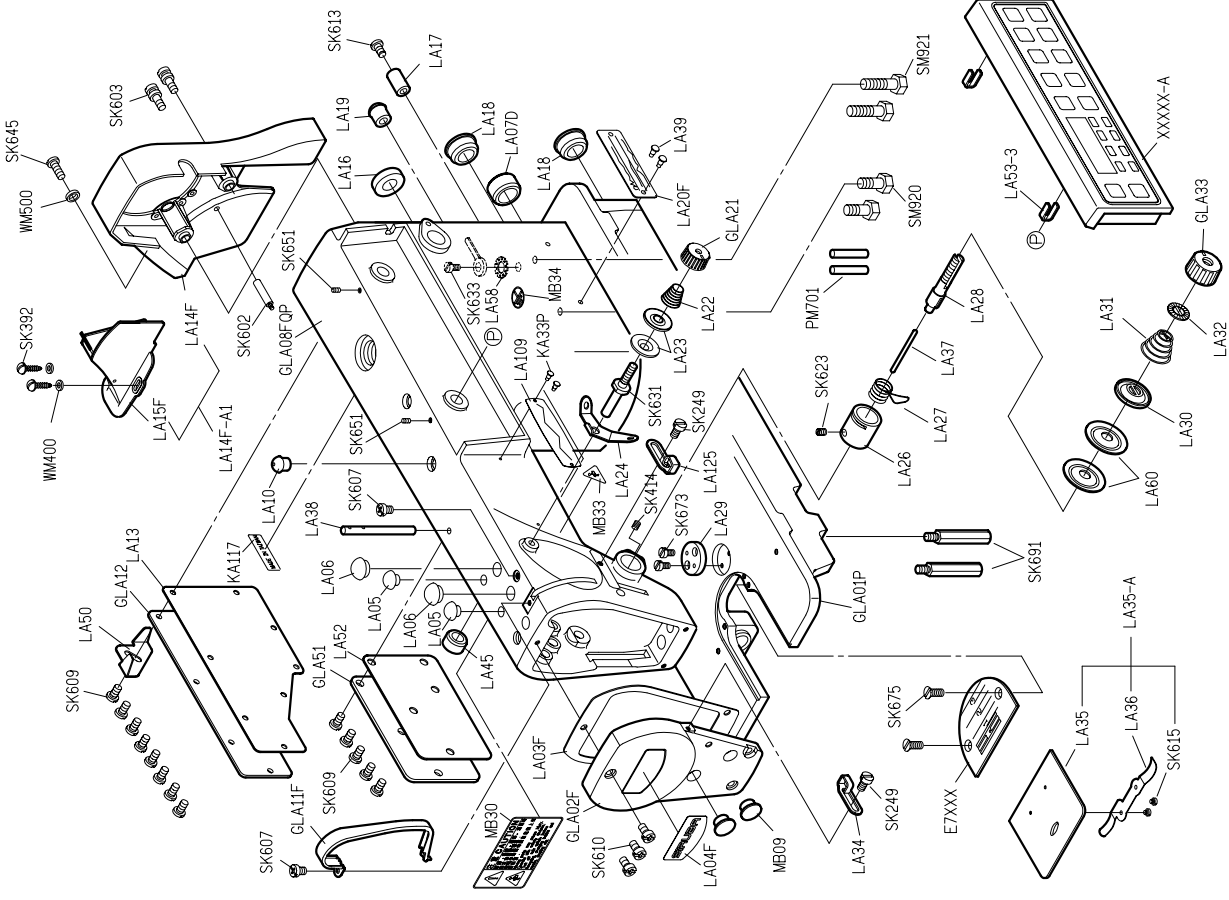
CE



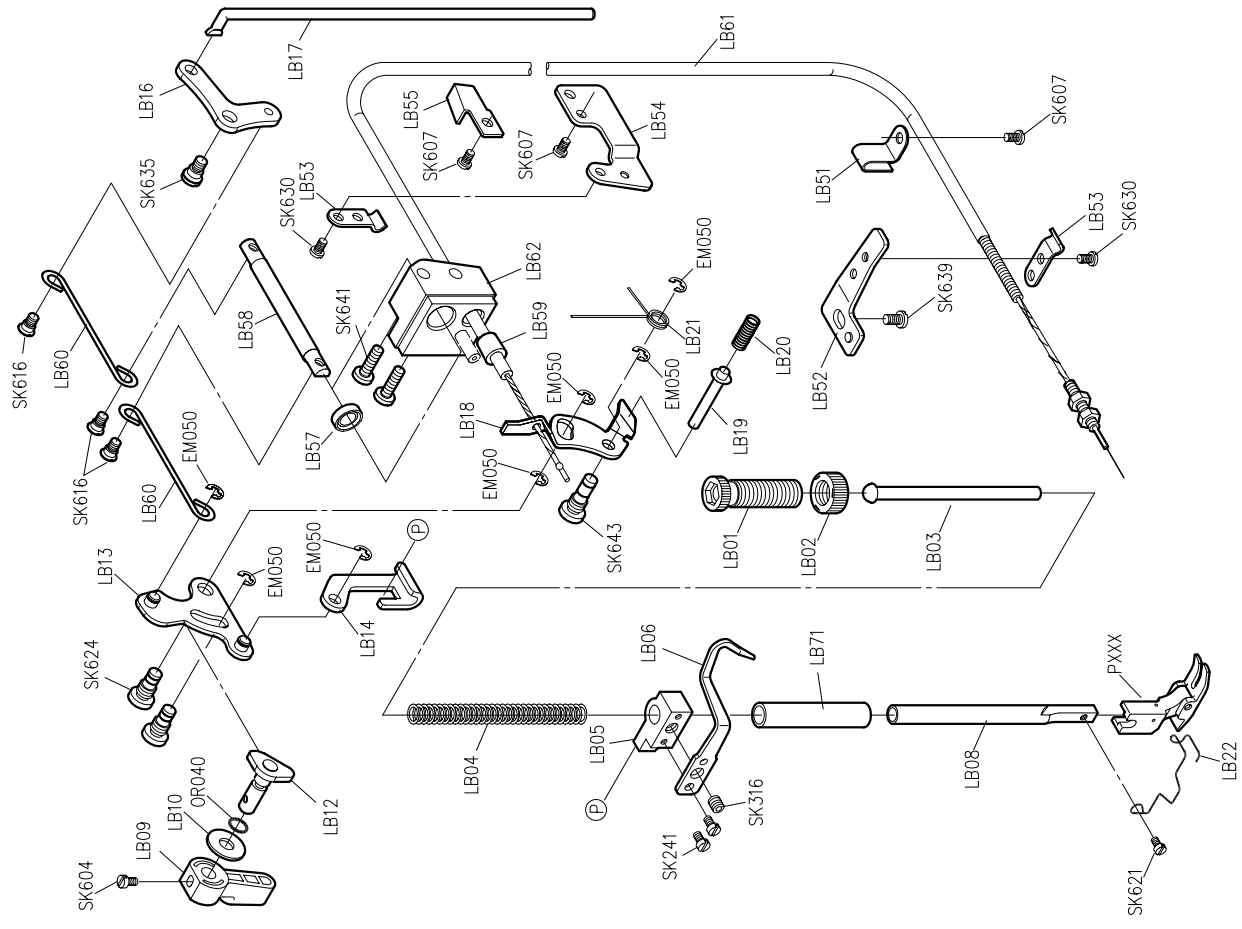
高林股份有限公司
KAULIN MFG. CO., LTD.

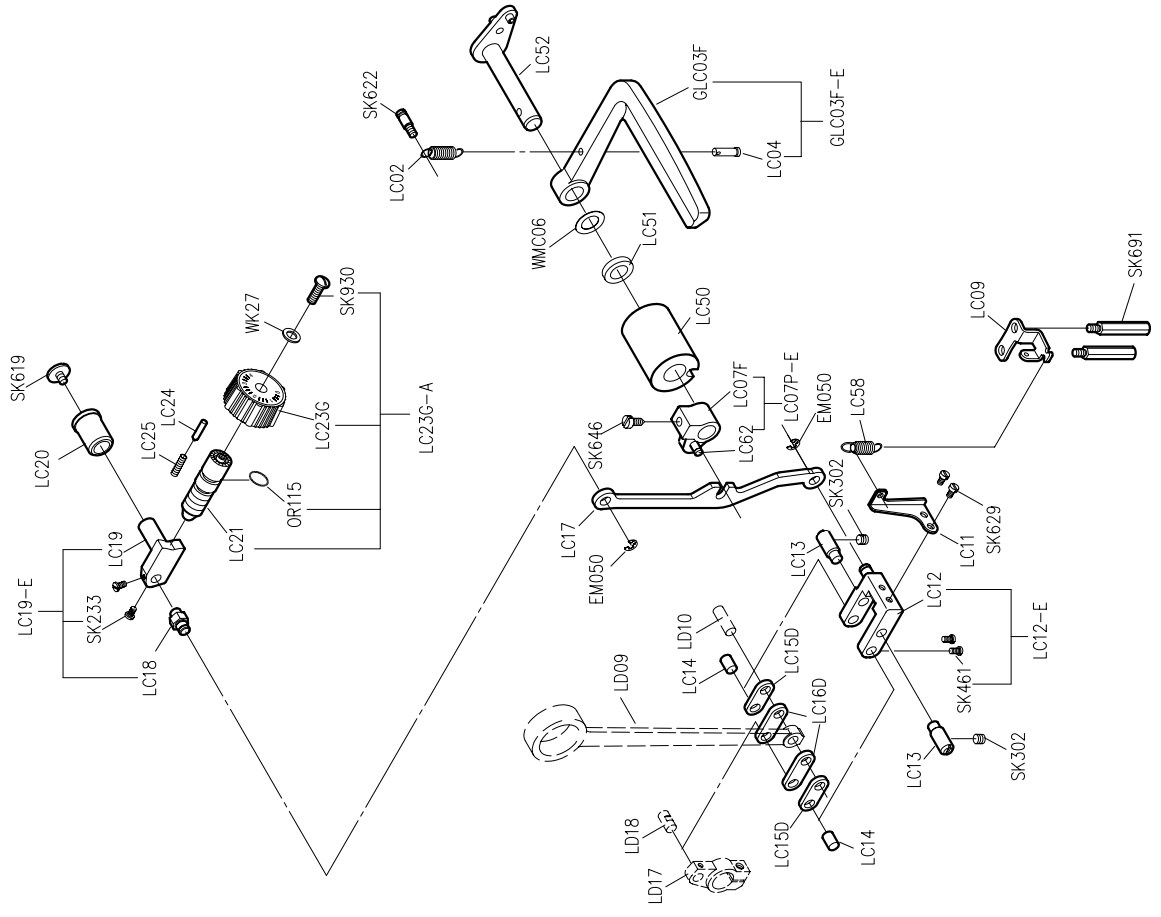
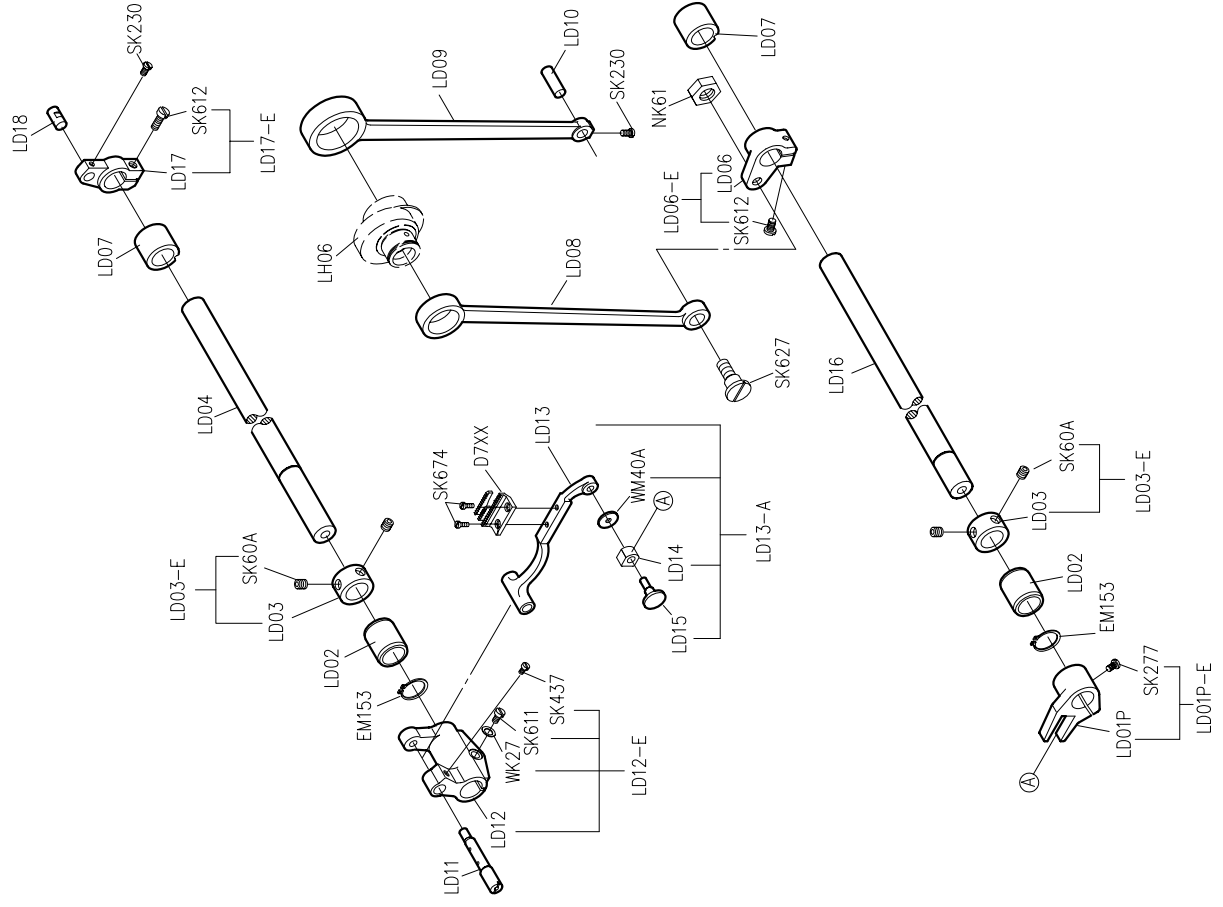
MODEL	SUB-CLASS	OPERATING PANEL	NEEDLE PLATE	FEED DOG	PRESSER FOOT	HOOK ASM	BOBBIN CASE ASM	BOBBIN	NEEDLE	HAND WHEEL
機型	規格	操作盒	針板	送具	押具	梭頭	梭殼	梭子	針號	皮帶輪
L818F-DM1-00	半無油式	LA55F-A	E704	D701	P701	G121	G202	G303	DB*1#11	GLH01-A1
L818F-DM1-03			E704D	D701	P701	G121	G202	G303	DB*1#11	GLH01Q-E
L818F-DM1-00A			E704	D701	P701	G121	G202	G303	DB*1#11	GLH01-A1
L818F-DM1-03A	中厚布料	L600	E701	D701	P701	G141 G142	G206	G303	DB*1#11	GLH01-A1
L818F-DM1-10			E701	D701	P701	G141 G142	G206	G303	DB*1#11	GLH01Q-E
L818F-DM1-13			E701	D701	P701	G141 G142	G206	G303	DB*1#11	GLH01-A1
L818F-DM3-00	無油式	LA55F-A	E701	D701	P701	G141 G142	G206	G303	DB*1#11	GLH01Q-E
L818F-DM3-03			E701	D701	P701	G141 G142	G206	G303	DB*1#11	GLH01Q-E
L818F-DM3-00A			E701	D701	P701	G141 G142	G206	G303	DB*1#11	GLH01-A1
L818F-DM3-03A	中厚布料	L600	E701	D701	P701	G141 G142	G206	G303	DB*1#11	GLH01-A1
L818F-DM3-10			E701	D701	P701	G141 G142	G206	G303	DB*1#11	GLH01Q-E
L818F-DM3-13			E701	D701	P701	G141 G142	G206	G303	DB*1#11	GLH01-A1

PARTS LIST FOR LA GROUP



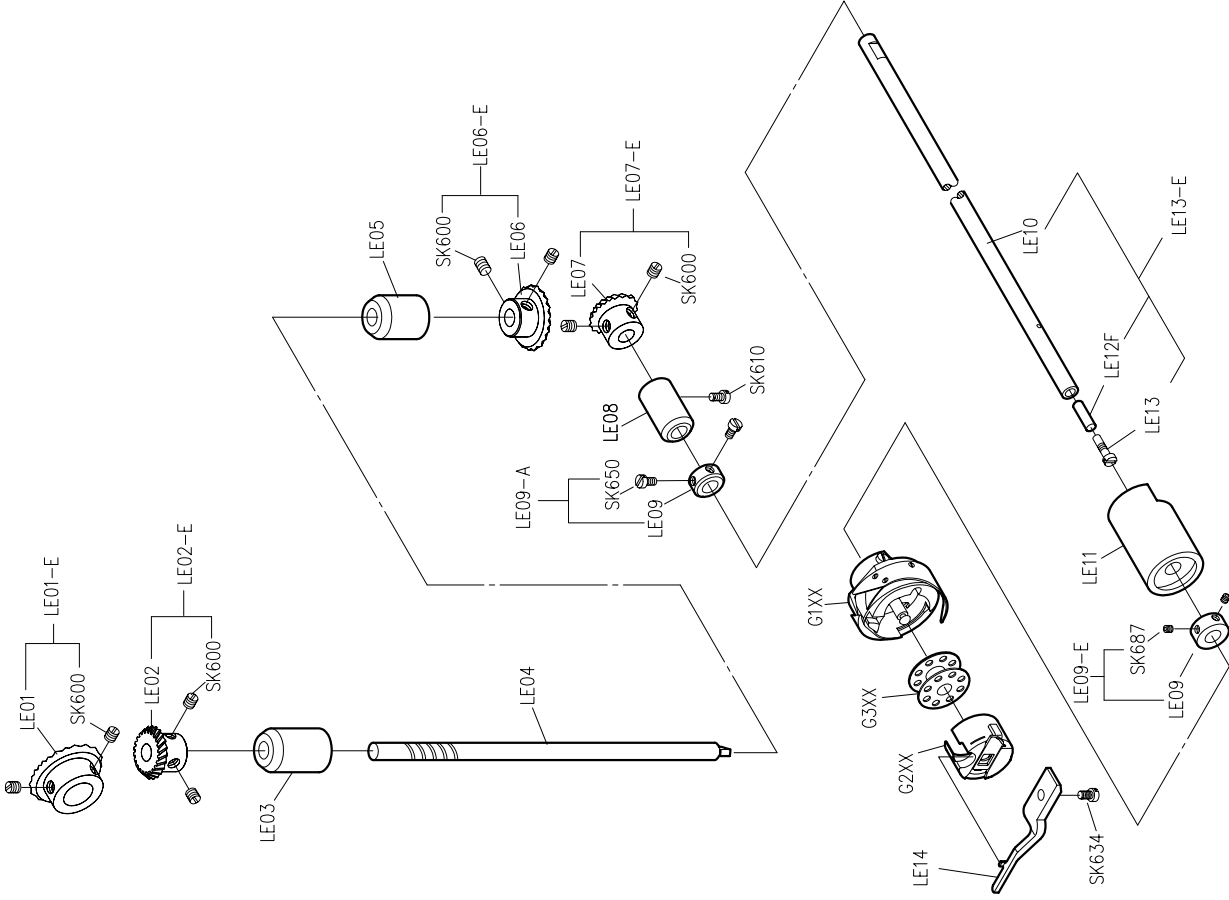
PARTS LIST FOR LB GROUP



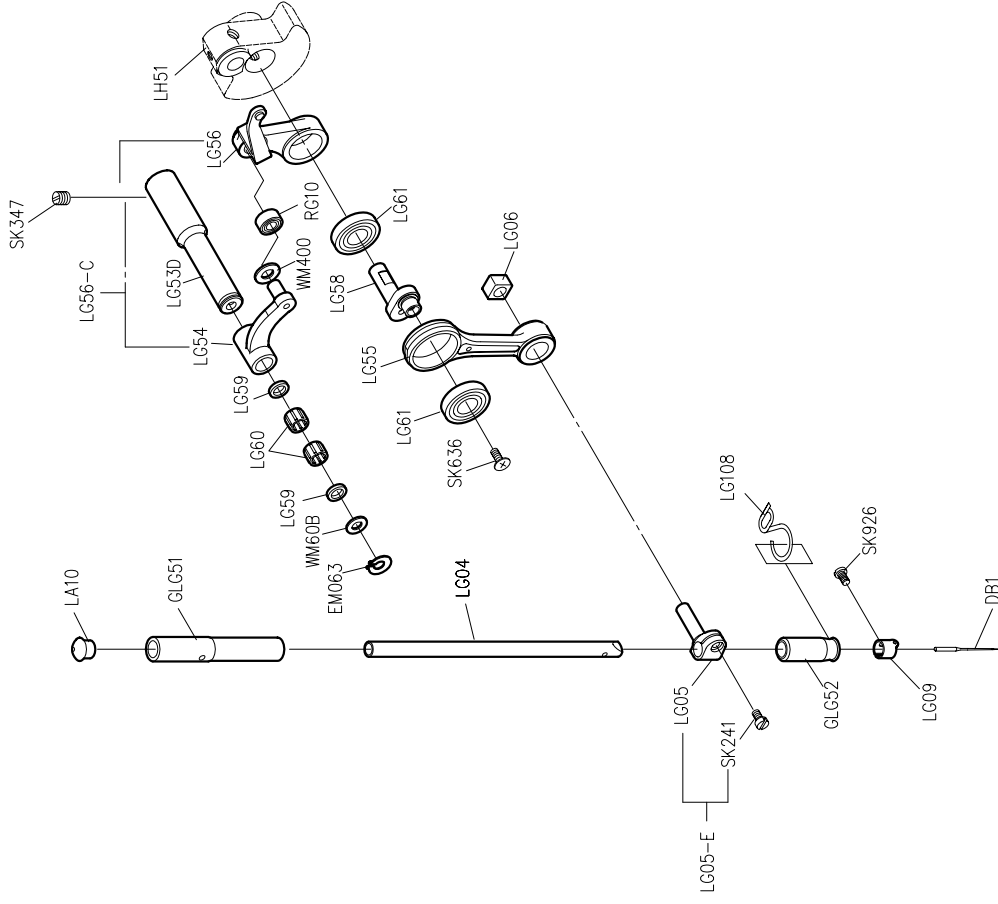


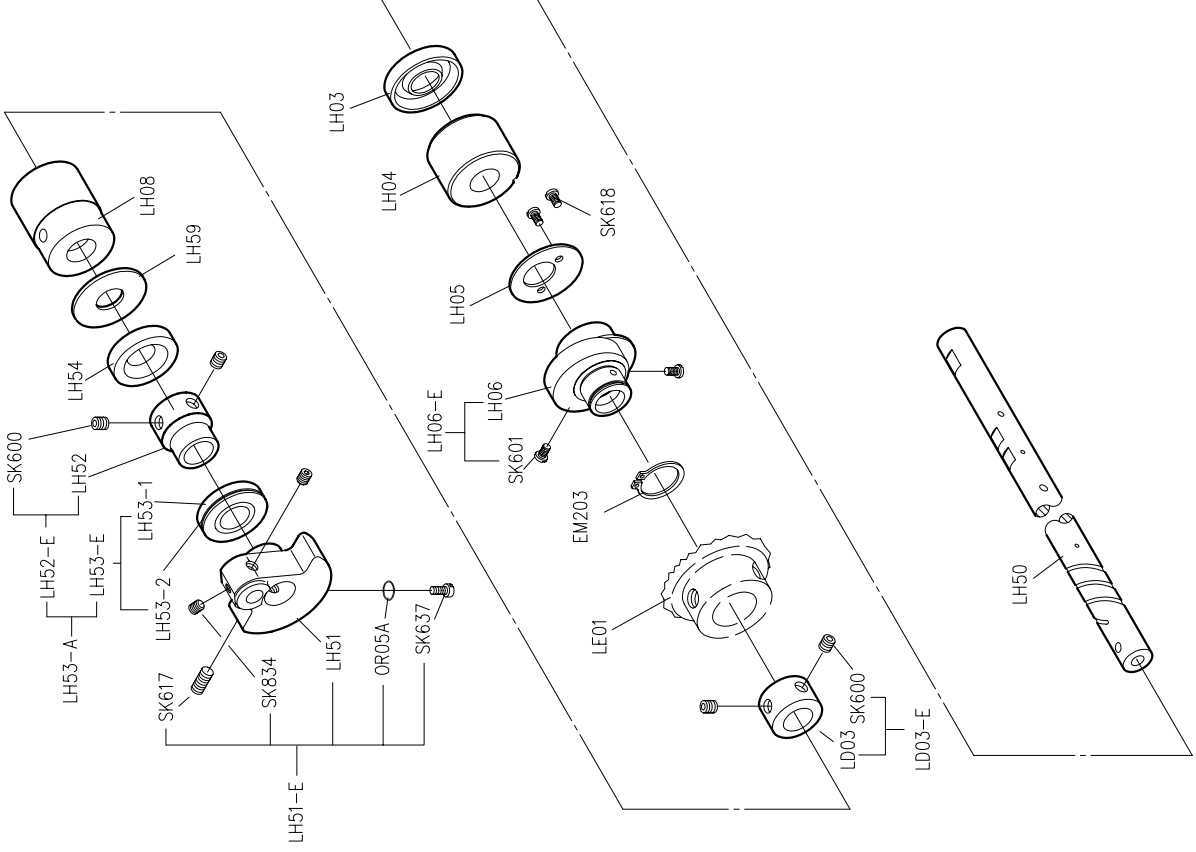
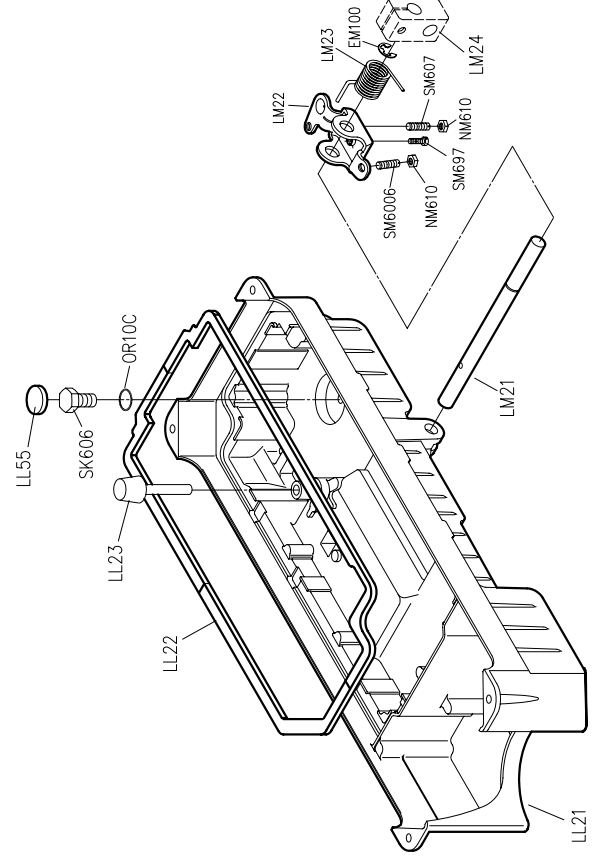
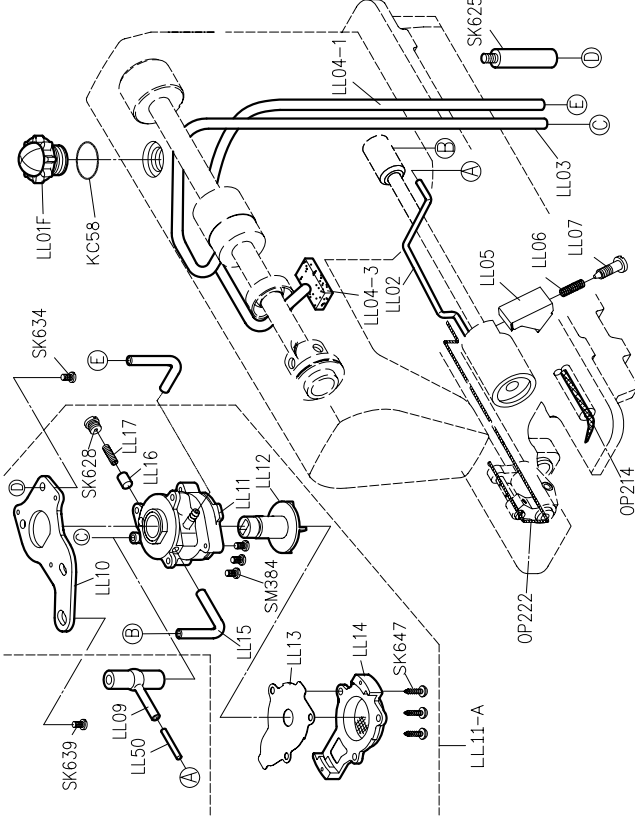
PARTS LIST FOR LC GROUP From the library of: **Diamond Needle Co** **PARTS LIST FOR LD GROUP**

PARTS LIST FOR LE GROUP



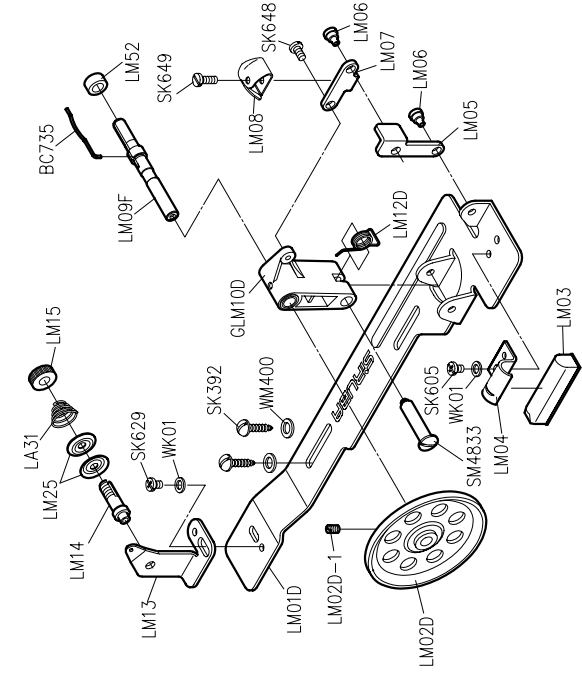
PARTS LIST FOR LG GROUP





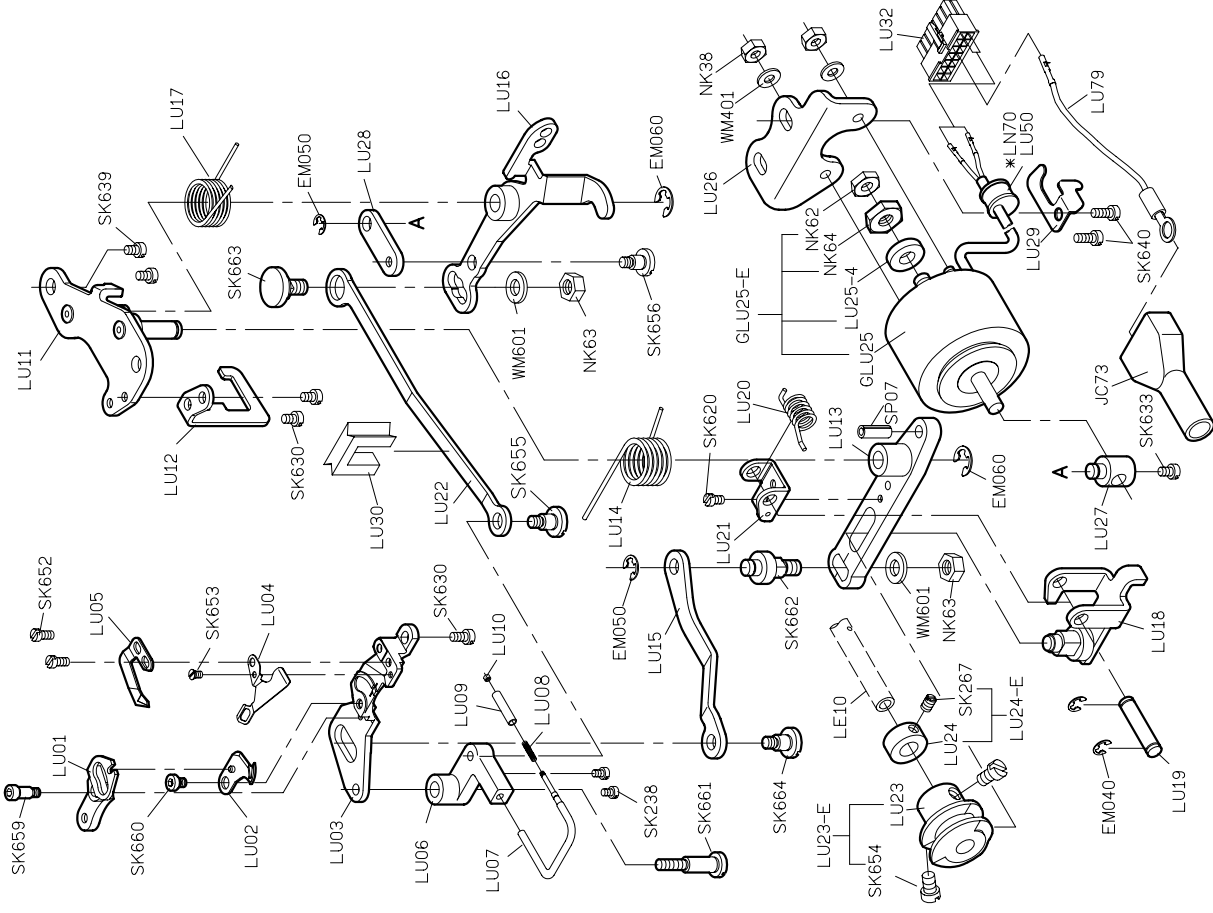
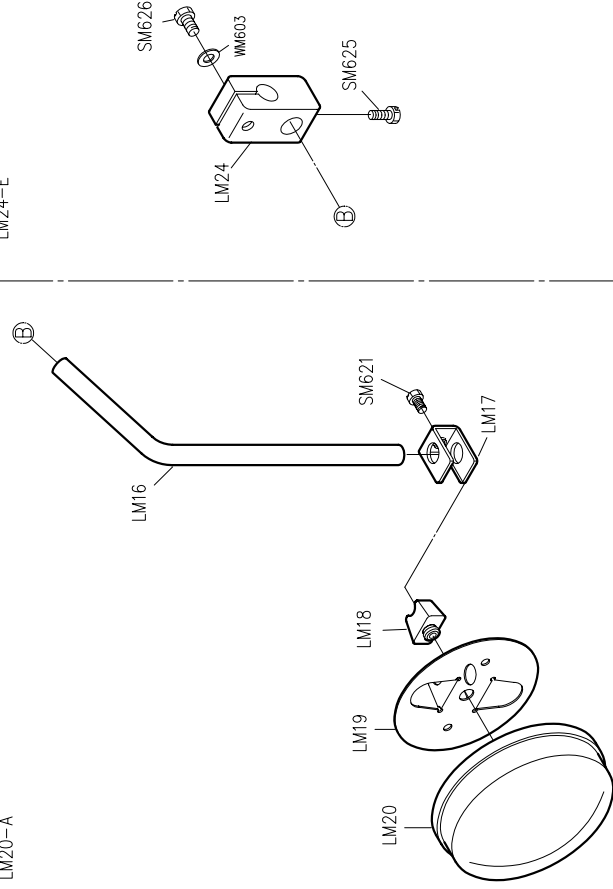
PARTS LIST FOR LM GROUP

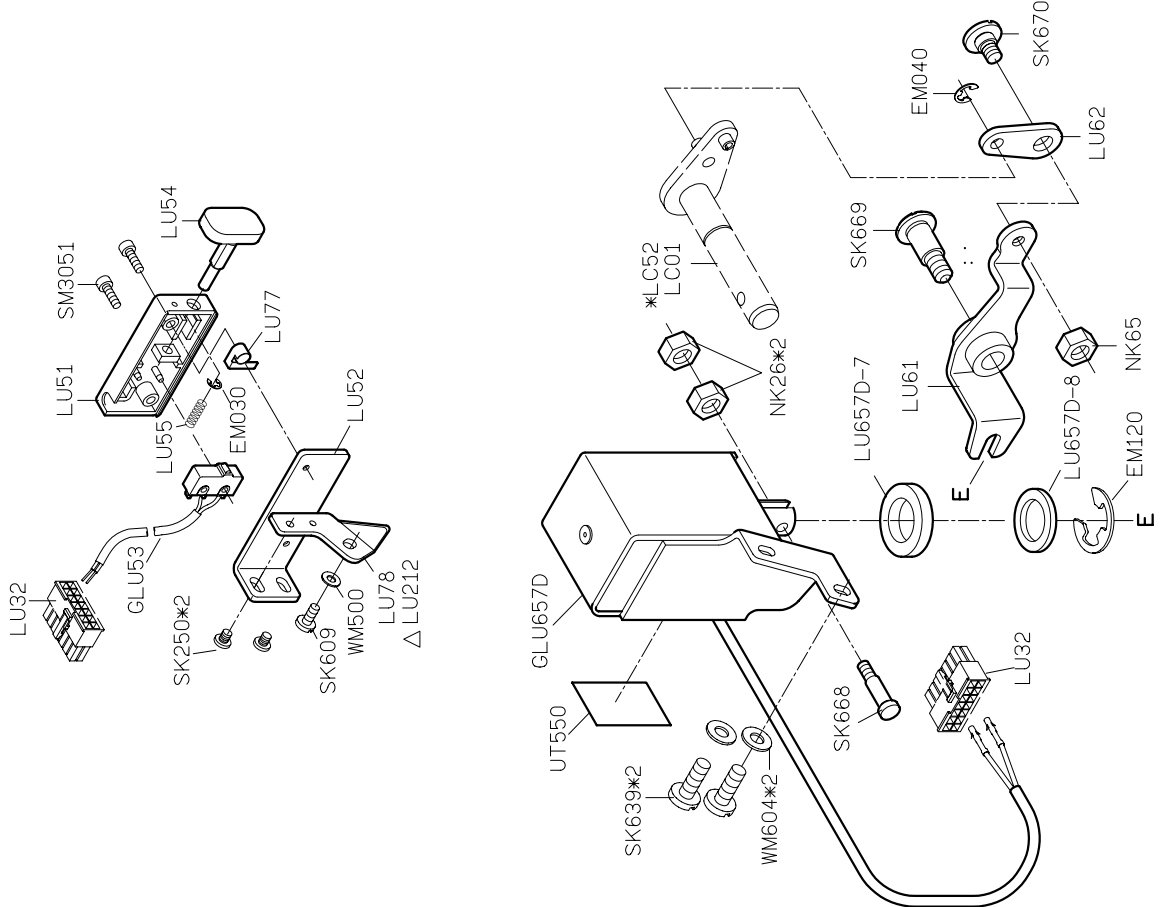
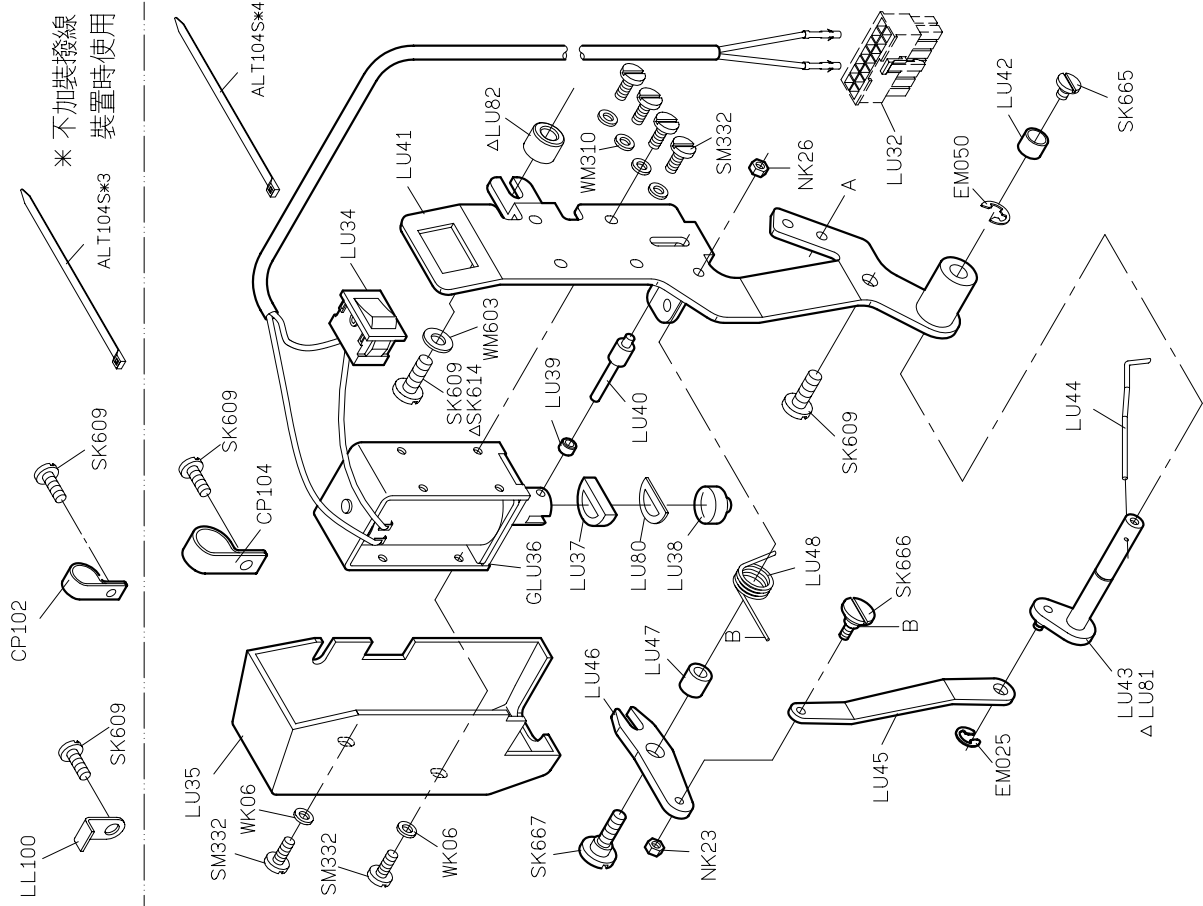
PARTS LIST FOR LU (1) GROUP



LM20-A

LM24-E



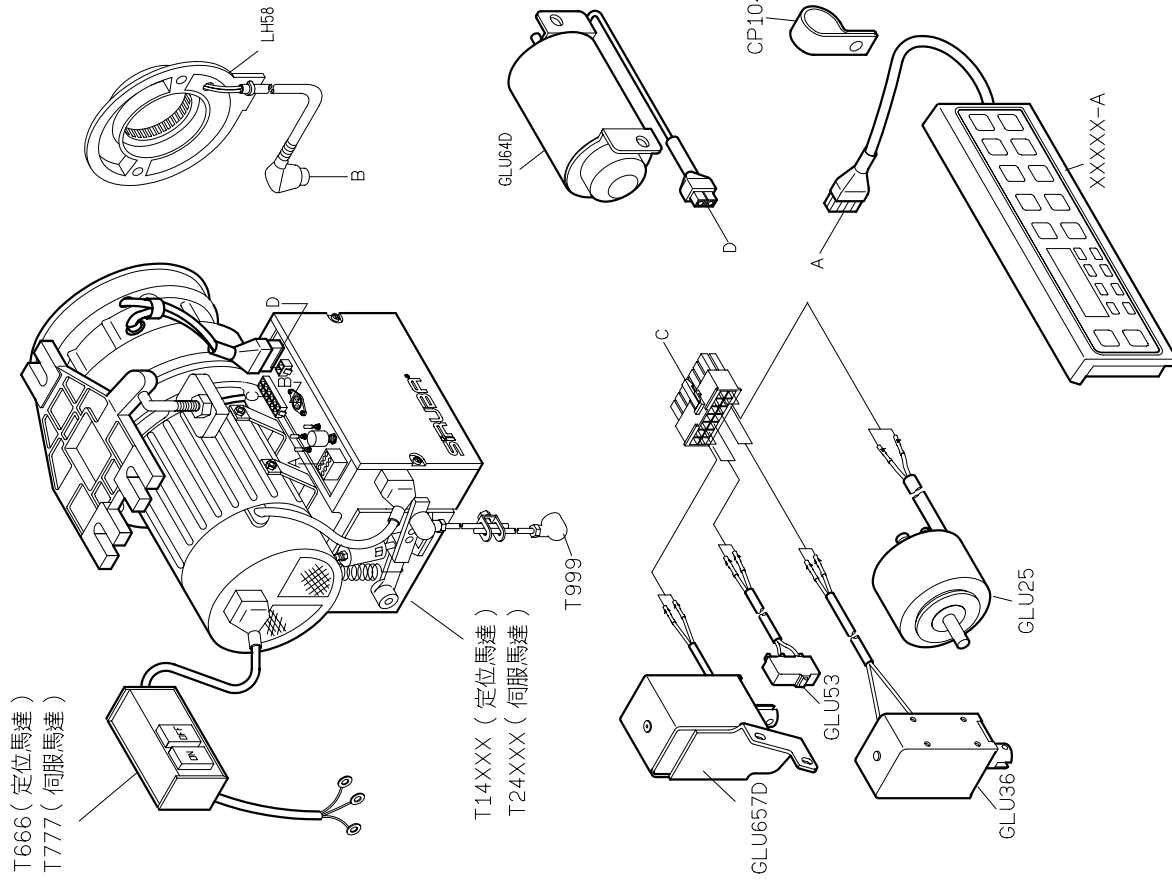
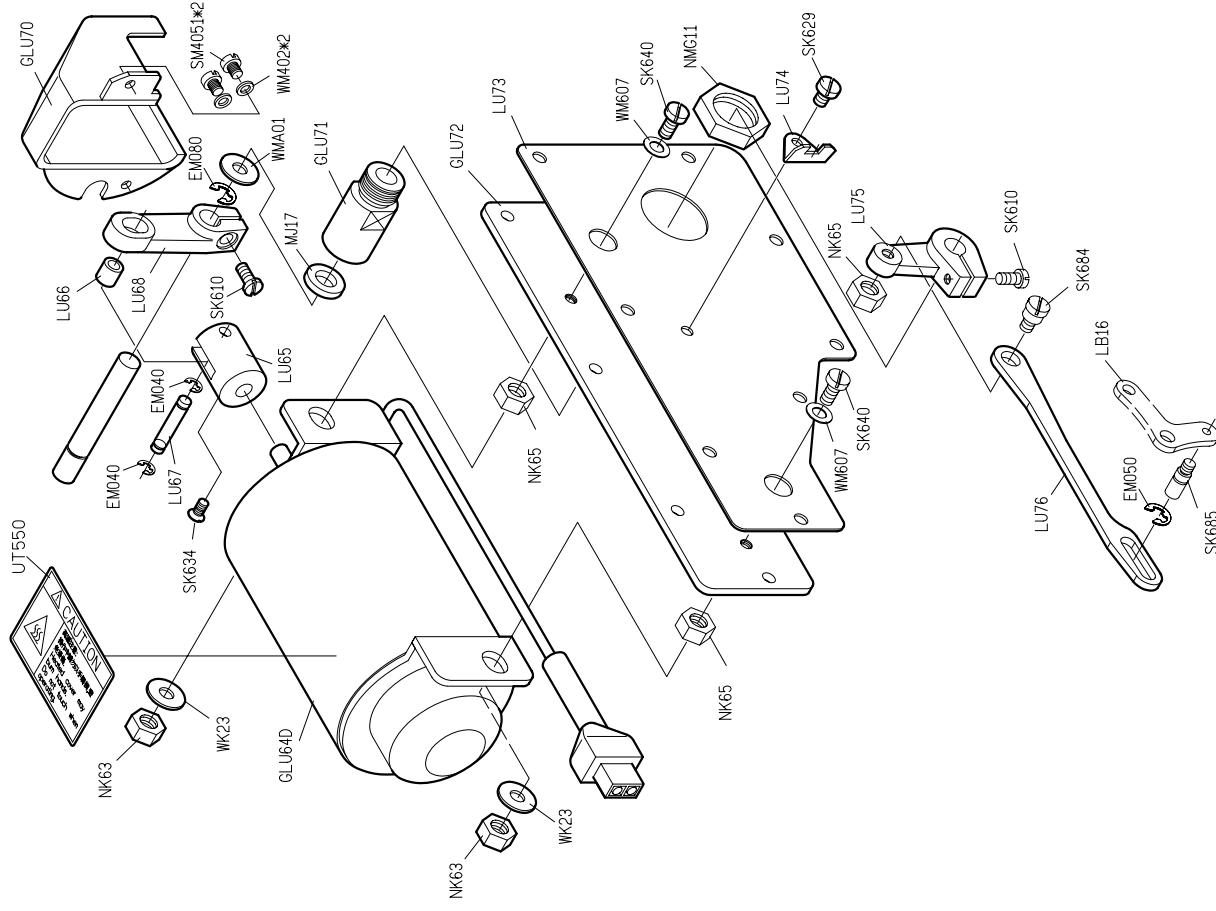


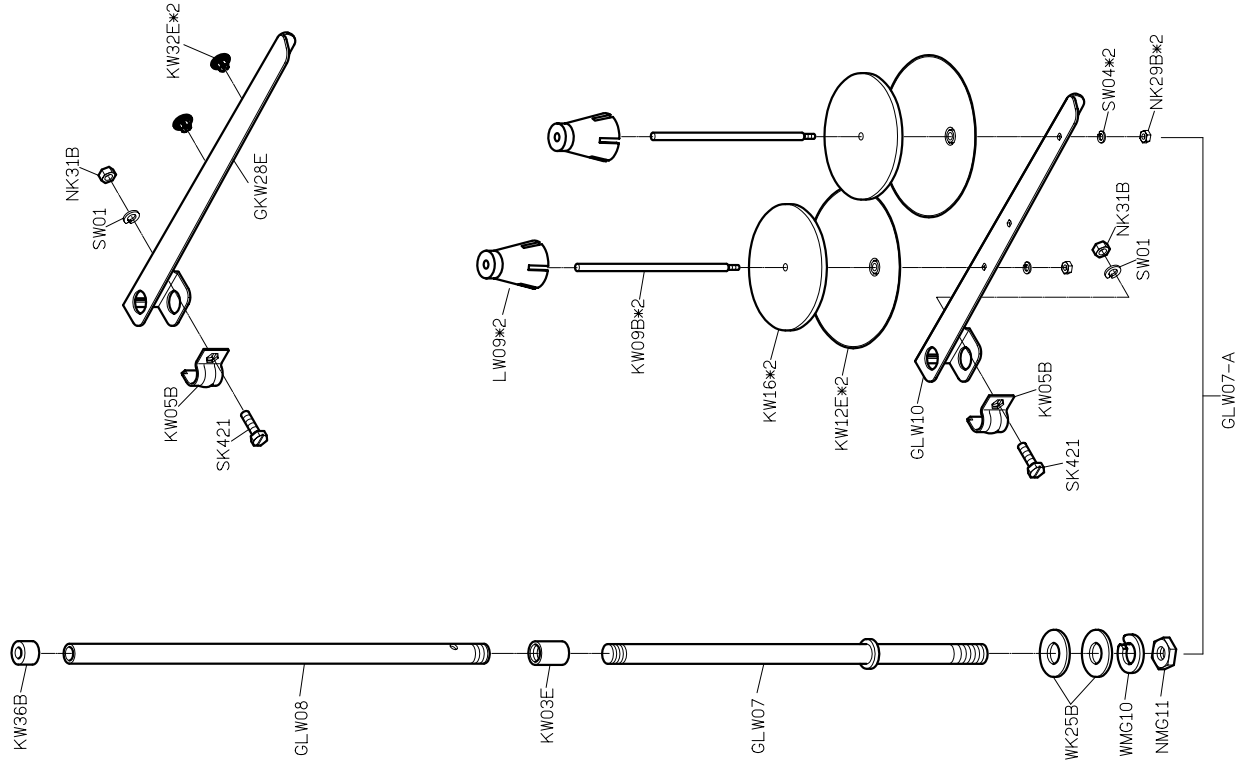
* ONLY FOR L818F-DM1 TRIMMER/L818F-DM3 TRIMMER
 △ ONLY FOR L818F-RM1 TRIMMER

PARTS LIST FOR LU (2) GROUP in the library of: **Diamond Needle PARTS LIST FOR LU (3) GROUP**

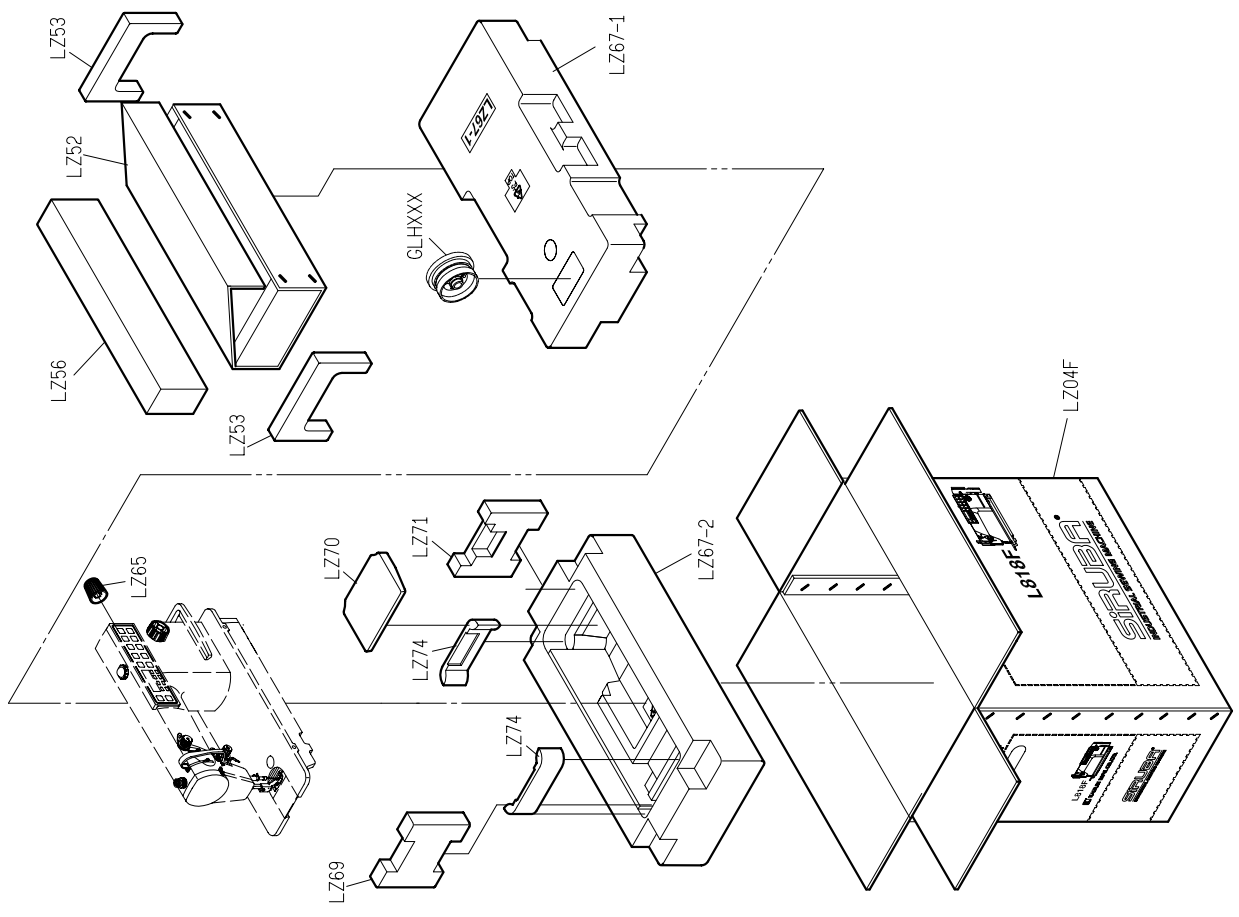
PARTS LIST FOR LU (4) GROUP

PARTS LIST FOR LU (5) GROUP





LY01	LY02	YM04*2	LY05*2	YM102*2
Wrench	Screw	Bracket	Bracket	Bracket
LY08F	LY18	LY27	LY21-A	YM103*2
Box	Box	Box	Box	Bracket
\$1*2	MY11	GMY01	G3XX*2	LY20*8
Screw	MY11	Box	Box	Screw
MY13	KY16	KY17	KY17	KZ03*1
Screw	Screw	Screw	Screw	Bracket





L818F-DM1

WITH TRIMMER

高林股份有限公司 KAULIN MFG. CO., LTD.

From the library of: Diamond Needle Corp